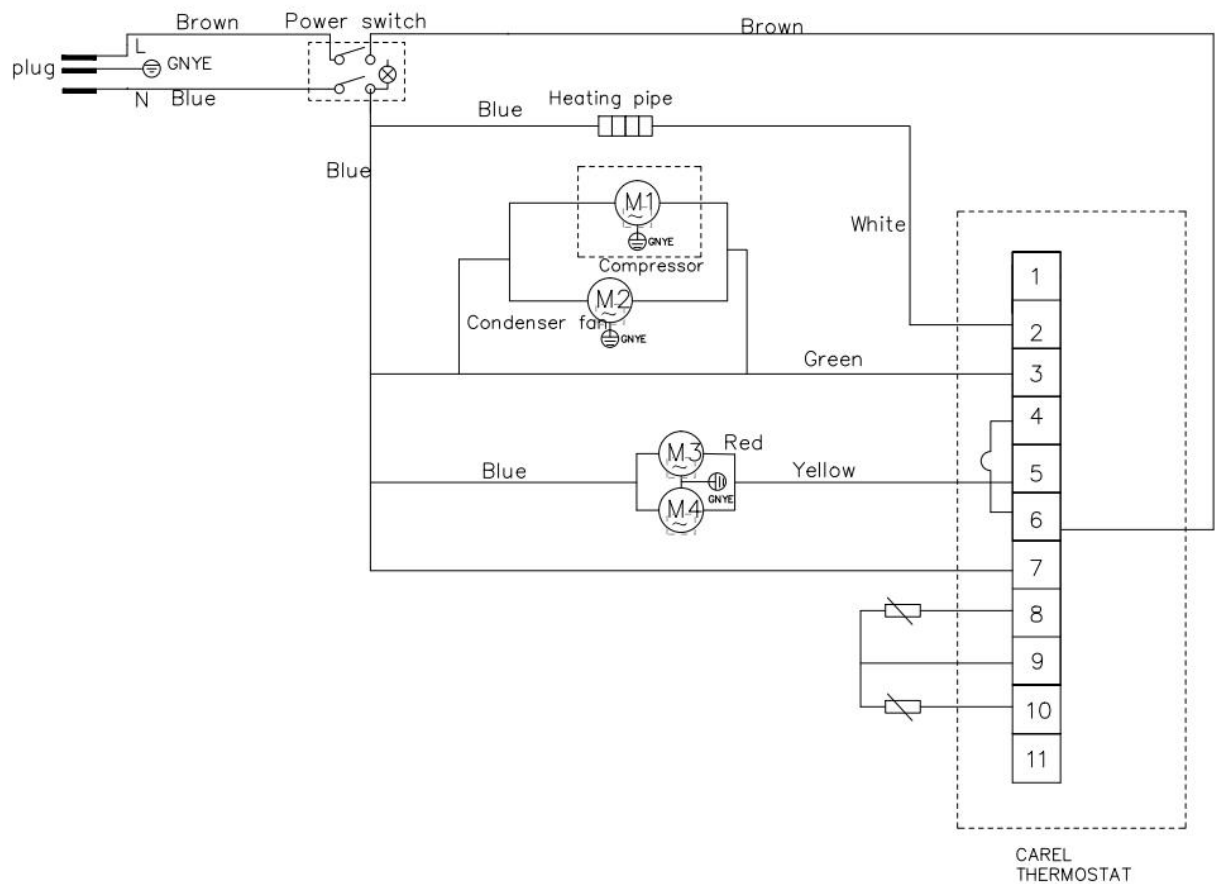


MODEL: KSR-48B

48 in. Double Door Stainless Steel Refrigerated Salad

Wiring Diagram:



When the freezing workbench is defrosting, the heating tube starts to work and the evaporator stops working (to prevent the heat emitted by the heating tube from blowing into the box).

After defrost starts, the temperature displayed on the thermostat will be fixed at the temperature at the start of defrost until the defrost ends and the temperature drops to the current temperature again. Just started to change.